



# AWB 120

## Bench Scale

### DESCRIPTION

*Technical Specification*

#### General

The AWB 120 is a robust, general purpose medium to light industrial electronic bench scale. It can be used in a wide variety of applications including shipping and despatch, dry food applications, as well as basic checkweighing and totalising. The large easy to read pole-mounted digital display comes as standard.

#### Features and Benefits

- **Backlit Display** – Supplied with a large, six-digit, 52 mm high, seven segment display with configurable backlight (on, off or on only when weighing). The display is mounted to a stainless steel pole and can be tilted throughout approximately 150° range for easy visibility.
- **Dual Power** – Powered by either the internal rechargeable battery or via the external power adapter. It is equipped with power saving options such as auto power-off and switching backlight off at zero.
- **Keyboard** – Seven simple to use, large tactile keys with multifunctional use.
- **Low Battery Warning** – LED annunciator next to display warns of low battery condition.
- **Robust Base** – 520 mm x 420 mm die cast aluminium base with hard wearing stainless steel shroud.
- **Checkweighing Mode** – Allows a low and high limit to be set. Configurable audible and visual annunciators (three LEDs next to display) show when weight is under, over, or at target weight.
- **Totalising Functionality** – Allows the number of weighings and the total amount of weight to be stored and recalled.
- **OIML approved** – 3000 division approved; 6000 divisions unapproved.





## SPECIFICATIONS

### Approved Capacities

60 kg x 0.02 kg  
150 kg x 0.05 kg  
300 kg x 0.1 kg

### Non-Approved Capacities

30 kg x 0.005 kg  
60 kg x 0.01 kg  
150 kg x 0.02 kg  
300 kg x 0.05 kg

### Tares

Semi-automatic subtractive tare.  
100% subtractive.

### Displays

The display shows six seven-segment digits.

The pole mounted LCD display carries icons for gross, net, tare, zero, kg.

LCD annunciators are available for Stable; Zero; Gross; Net; Tare; Hold; Low Battery.

LED annunciators are available for Over; Under; Accept on Check Weighing and Low Battery.

### Controls

Keyboard controls are located on the display housing. Auto power-off function to help prolong battery life.

### Main Control Functions –

Gross/Net; Print; Memory Recall. Accumulate; Tare; Zero; Power On/Off.

**Additional Control Functionality –**  
Check Weighing; Memory Clear.

### Fittings

**Stainless steel plate –**  
520 mm x 420 mm.

**Stainless Steel Pole –** 660 mm

Four adjustable feet and level indicator at base of pole to ensure maximum stability.

### Electrical Supply

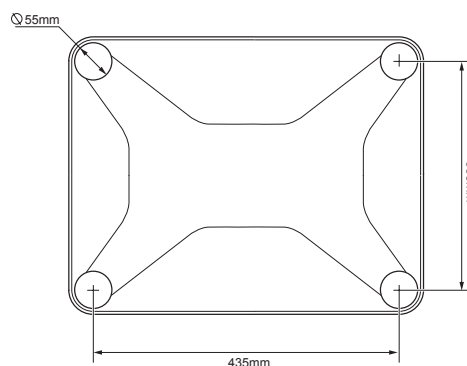
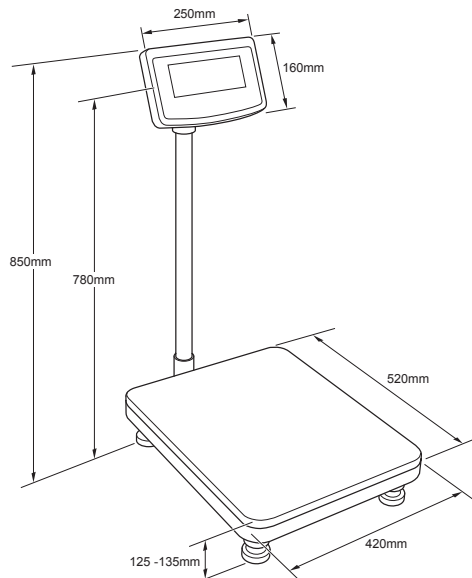
**Mains Adaptor –** AC plug top mains adaptor with 1.8m cable. 230 V at 50 Hz via external 9 V DC 800 mA adaptor.

**Internal Rechargeable Battery –** 6 V DC rechargeable battery. 12 hours to fully charge the scale. Approximately 20 hours of continuous battery life.

### Environment

**Operating Temperature Range –** -10° C to +40° C

**Operating Humidity –** 0 to 85% RH (non-condensing)



### Approvals

**EC type approval certificate number –** UK2863

**OIML Certificate number –** R76/1992-GB1-09.08

### Finish

**Indicator Housing –** Grey ABS

**Column –** Stainless Steel

**Top Plate –** Brushed Stainless Steel

**Base –** Blue die cast aluminium

### Shipping Specifications

**Net –** 13.5 kg

**Gross –** 16.4 kg

**Number of Packages –** 1

**Package Dimensions –** 820 mm x 590 mm x 250 mm



### Avery Weigh-Tronix - UK

Foundry Lane, Smethwick,  
West Midlands B66 2LP UK  
info@awtxglobal.com  
Phone: +44 (0) 8453 66 77 88  
Fax: +44 (0) 121 224 8183

### Avery Weigh-Tronix - USA

1000 Armstrong Drive,  
Fairmont, MN 56031-1439 USA  
usinfo@awtxglobal.com  
Toll-Free: (800) 533-0456  
Phone: (507) 238-4461

Please call us or visit [www.averyweigh-tronix.com](http://www.averyweigh-tronix.com) for your nearest Avery Weigh-Tronix distributor

# Avery Weigh-Tronix



© Avery Weigh-Tronix group of companies 2009. All rights reserved. Avery Weigh-Tronix is a registered trade mark of the Avery Weigh-Tronix group of companies. This publication is issued to provide outline information only which, unless agreed by an Avery Weigh-Tronix group company in writing, may not be regarded as a representation relating to the products or services concerned. This publication was correct at the time of going to print however, Avery Weigh-Tronix reserves the right to alter without notice the specification, design, price or conditions of supply of any product or service at any time.